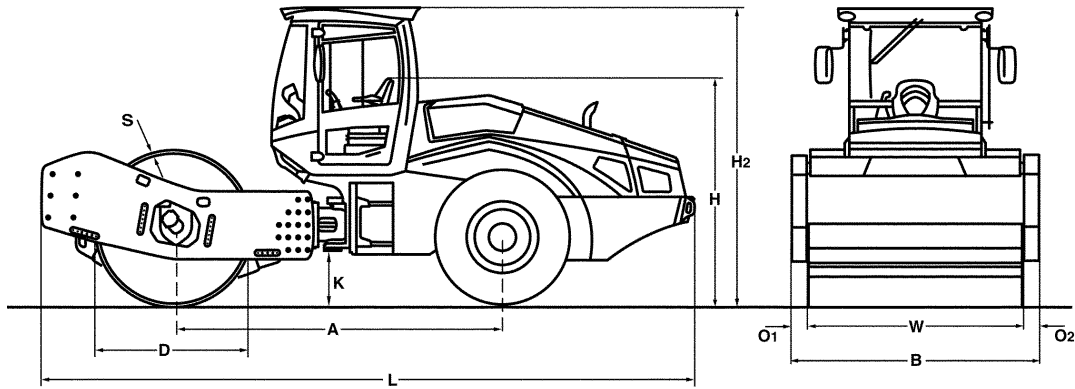


TECHNICAL DATA

SINGLE DRUM ROLLERS

BW 226 BVC-5





Dimensions in inch

	A	B	D	H	H2	K	L	O1	O2	S	W
BW 226 BVC-5	132.3	98.4	63.0	92.1	121.3	16.9	265.4	7.3	7.3	1.57	83.9

Shipping dimensions in cub.yd

BW 226 BVC-5

without ROPS

51,544

with ROPS

67,886

Machine type	Compaction output (cub.yd/h)			
	Rock fill	Gravel, sand	Mixed soil	Silt, clay
BW 226 BVC-5	1543.4-2772.8	1281.8-2354.3	915.6-1765.7	503.6-1007.1

Machine type	Compacted layer thickness (in)			
	Rock fill	Gravel, sand	Mixed soil	Silt, clay
BW 226 BVC-5	78.7	63.0	43.3	19.7

Technical Data

BOMAG BW 226 BVC-5

Weights

Grossweight	lb	60,804
Operating weight CECE w. ROPS-cabin	lb	57,056
Axle load, drum CECE	lb	39,529
Axle load, wheels CECE	lb	17,527
Static linear load CECE	lb/in	471.4

Dimensions

Working width	in	83.9
Track radius, inner	in	167.7

Driving Characteristics

Speed	mph	0- 5.6
Max. gradeability without/with vibr.	%	50/47

Drive

Engine manufacturer		Deutz
Type		TCD 6.1 L6
Emission stage		Stage V / TIER4f
Exhaust gas aftertreatment		DOC+DPF+SCR
Cooling		Liquid
Number of cylinders		6
Performance ISO 3046	hp	201.2
Performance SAE J 1995	hp	202.0
Speed	rpm	2,300
Fuel		Diesel
Electric equipment	V	12
Drive system		hydrost.
Drum driven		standard

Drums and Tires

Tire size		23.5-25 16PR
-----------------	--	--------------

Brakes

Service brake		hydrost.
Parking brake		hydromec.

Steering

Steering system		oscil.artic.
Steering method		hydrost.
Steering / oscillating angle +/-	deg	35/12.0

Exciter system

Frequency	vpm	1,560.0/0.0
Amplitude (1)	in	0- 0.106
Centrifugal force	lb	112,405
Centrifugal force	t	11,465

Vario system

Drive system		hydrost.
Drive system		hydrost.

Capacities

Fuel	gal	74.0
------------	-----	------

Technical modifications reserved. Machines may be shown with options.

Standard Equipment

- BOMAG ECOMODE
- BOMAG VARIOCONTROL
- TERRAMETER
- Oscillation mode
- Warning, information and operation displays with LCD
- Hydrostatic travel and vibration drive
- Hydrostatic articulated steering
- Articulated joint lock
- Rear axle with twin spring accumulator brakes
- Self locking differential
- Warning horn
- Single lever control for travel and vibration
- Seat with arm rest and adj. for position and height
- 2 Scrapers
- Emergency STOP
- Back-up alarm
- Working lights front / rear
- Double pump system for travel drive
- Loading mode
- Battery disconnect switch
- BOMAG TELEMATIC POWER

Optional Equipment

- * ROPS/FOPS cabin with seat belts
 - Sliding window
- Air condition
- Rearview camera
- BOMAG ECOSTOP
- Padfoot segment kit
- Radio (Bluetooth)
- Indicator and hazard lights
- Special painting
- Rotary beacon
- Pre start cabin heating
- Environmentally compliant hydraulic oil
- Comfort package: Adjustable seat and adjustable steering column
- Measuring- and machine data interface for third-party suppliers
- Reversing alarm buzzer with broad band audio
- LED Working lights (Cabin)
- Highly wear resistant drum
- Rock tire

* Standard delivery with CE conformity
(valid within European Union)

