



INTELLIGENT. EFFICIENT. ALL-ROUND TALENT.

BC 473 EB-3, BC 473 EB-5 AND BC 773 EB-5



MILLIONS OF KILOMETRES BEAR OUR SIGNATURE.

Any contractor planning to tackle major earthworks projects or operate mineral waste landfills needs one thing above all else: compaction. To help you achieve the best results, we build the best machines. For over 60 years, the history of our company has gone hand in hand with the history of compaction. BOMAG soil and refuse compactors are the perfect machines for every application.

Our accumulated knowledge is the driving force for innovation and sets standards for the entire industry, including in the field of soil and refuse compaction. At the same time, we develop many new technologies and focus on cost-effectiveness. The refuse compactors' unique compaction wheels ensure optimal crushing. This is enhanced

by the typical BOMAG compaction concept with scrapers and toothed wheels, ensuring that every machine is well-equipped for any conceivable situation. Our global network of experts and partners in over 120 countries provides flexible and fast support for all requirements – from machine equipment to demanding challenges such as dealing with difficult weather conditions or compaction on inclines.

We owe our innovative power to our more than 2,300 employees worldwide. We are driven by an unwavering commitment to quality: during development and production, in the training of our employees, and by a service whose quality guarantees the best support on the construction site.





A MATTER OF EFFICIENCY.



SOIL COMPACTION IS A JOB FOR BOMAG PROFESSIONALS.

BOMAG has been designing, developing and building compaction machines for more than 60 years. Our engineers are dedicated to making each new model generation even better, more economical and more productive than ever before. Always with one aim: every BOMAG machine must make our customers' work more efficient, more comfortable and more professional. We work closely with our customers to find solutions that help them increase their productivity and perform their wide-ranging tasks flawlessly.



BOMAG's portfolio of soil compactors includes four different machines with an operating weight of 25.7 t-36.6 t and a power range of 210 - 340 kW.

The soil compactors can be used on large construction sites and landfills for almost any material and easily handle work on very cohesive soils and in rainy weather. This is mainly due to the optimal traction and the powerful diesel engines. In combination with their high thrust, BOMAG soil compactors achieve excellent gradeability. A low centre of gravity and a wide wheelbase provide the necessary stability. Add to that the specially developed wheel design from BOMAG, and this all-rounder is equipped for almost any application, even under the most difficult conditions.



Non-cohesive soils.



Cohesive soils.

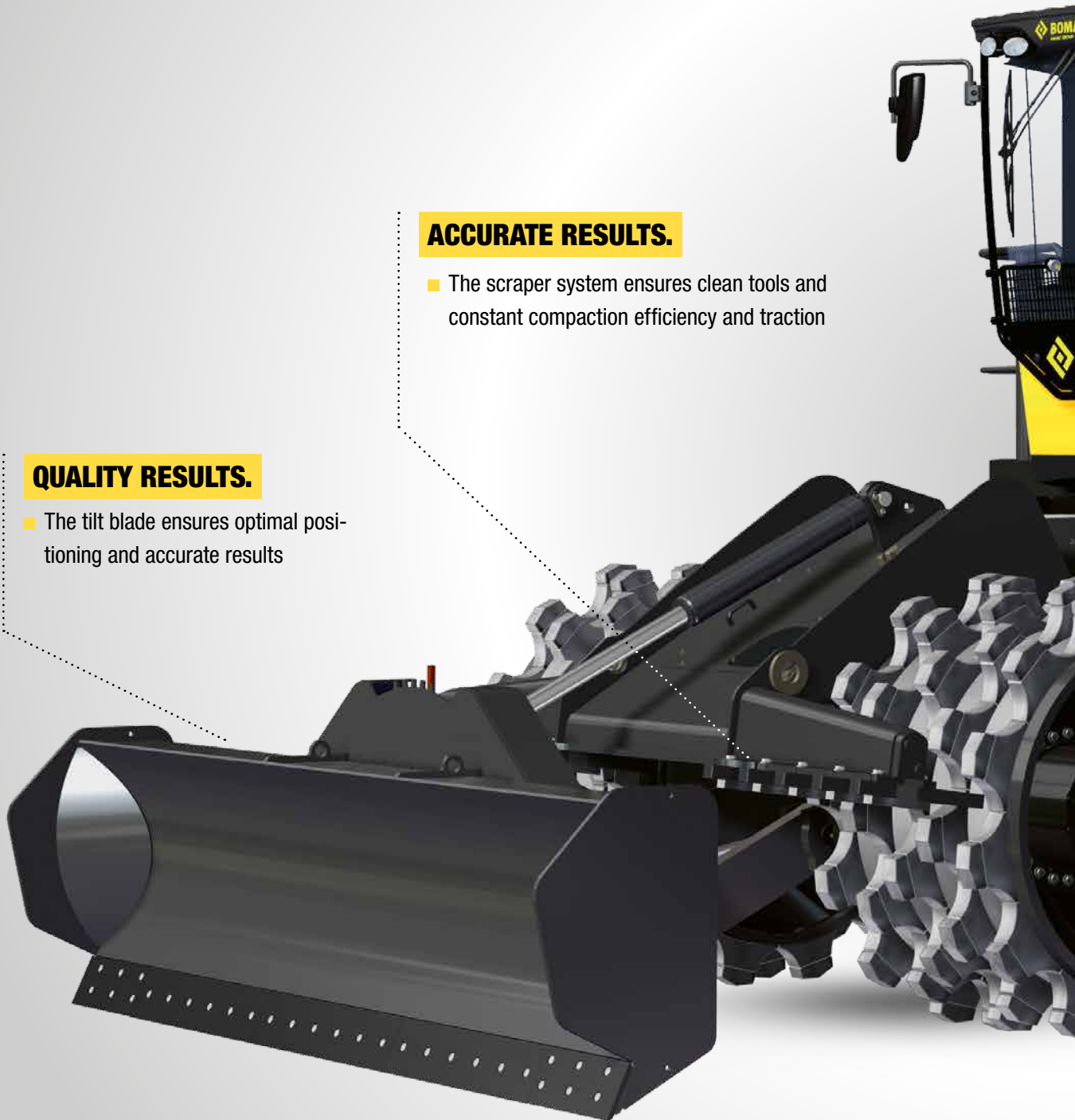
MANY GOOD REASONS FOR CHOOSING A BOMAG.

ACCURATE RESULTS.

- The scraper system ensures clean tools and constant compaction efficiency and traction

QUALITY RESULTS.

- The tilt blade ensures optimal positioning and accurate results



HIGH AVAILABILITY.

- The high air intake in combination with the reversible fan minimises cleaning requirements

EASY MAINTENANCE.

- The one-piece engine hood and easily accessible platform guarantee short maintenance times. The daily check takes less than one minute



PERFECT TRACTION.

- Thanks to the oscillating articulated joint, the machine adapts perfectly to any surface

DURABILITY AND EFFICIENCY.

- Special chilled cast iron caps increase service life and reduce operating costs

IDEALLY EQUIPPED.



With its latest generation of soil compactors, BOMAG has created truly versatile machines that redefine the standards in static soil compaction. They can be used on almost any material thanks to the meticulous development of our experts. Our highly efficient engines, intelligent cooling system and long-lasting exhaust gas aftertreatment system (STAGE V/TIER 4) provide the basis for your economic success. You can rely on our expertise and our innovations. Because we are always up to speed with current developments and open to your wishes – to help you progress and pave the way to success.



INTELLIGENTLY COMBINING WORK STEPS.

BOMAG soil compactors combine two work steps that are usually separate in earthworks: spreading and compacting. BOMAG combines these two tasks in one machine with just one operator. This eliminates coordination gaps and shortcomings in quality. Wherever material is moved, it is also compacted. The volume in mineral waste landfills is better utilised by 10%.



SAFE WORK PROCESSES.

In addition to optimum results, the soil compactor guarantees absolute safety during work processes. The compacted areas are much easier to drive over. Fewer vehicles get stuck, which ensures a smooth, efficient traffic flow on the site. This also shortens the turnaround times for deliveries.



BOMAG'S UNIQUE COMPACTION CONCEPT.

BOMAG's compaction concept with scrapers and toothed wheels guarantees continuous clean work. Because only clean tools can maintain consistent compaction and traction. The oscillating articulated joint ensures optimal load distribution on all 4 wheels. The surface is completely covered thanks to the wheel offset. Gaps left by the wheels are completely closed during the second pass, making 10% better use of the volume.

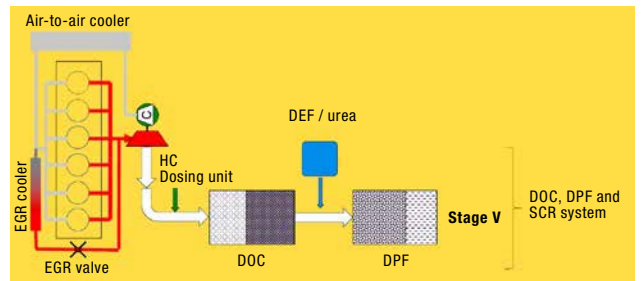
EFFICIENT ENGINE TECHNOLOGY.

STAGE V/TIER 4

- This sophisticated powerful turbo-diesel uses state-of-the-art technologies to generate power according to the situation, while keeping fuel consumption low
- Intercooler
- Direct high-pressure fuel injection
- State-of-the-art technology in proven quality
- Global sales and service
- 5% less fuel consumption
- Reduced running costs
- Low vibration 6-cylinder in-line engine
- Temperature-controlled cooling system with speed-controlled and reversible fan guarantees maximum efficiency and long maintenance intervals



Powerful engine.



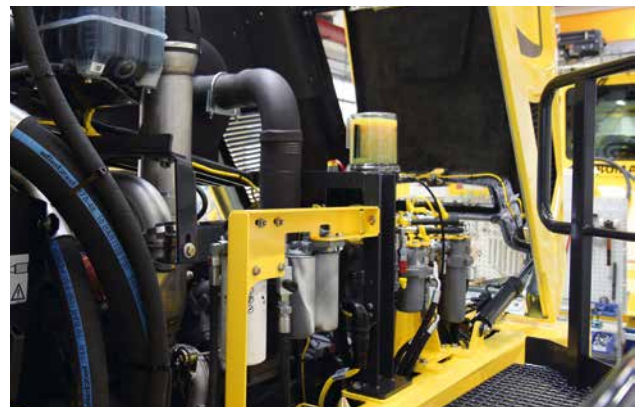
Exhaust gas aftertreatment system.

STAGE III/TIER 3A

- The powerful 6-cylinder turbo diesel handles load peaks with flying colours
- Intercooler
- Compact, simple layout
- Easy maintenance, simple exhaust system without an exhaust gas aftertreatment system
- Robust engine technology for sustained power
- Global sales and service
- High tolerance for different fuel qualities
- Modern injection system
- Temperature-controlled cooling system with speed-controlled and reversible fan guarantees maximum efficiency and long maintenance intervals
- No additional operating materials



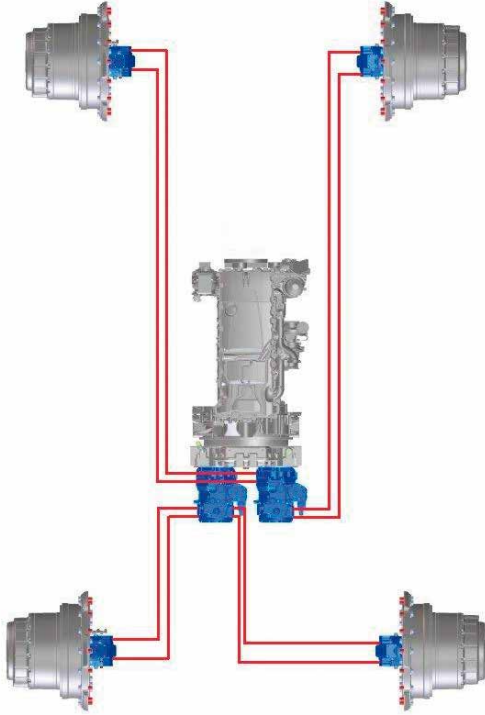
Accessibility was also always a priority when integrating the engine.



Optimum accessibility.

EFFICIENT DRIVE TRAIN.

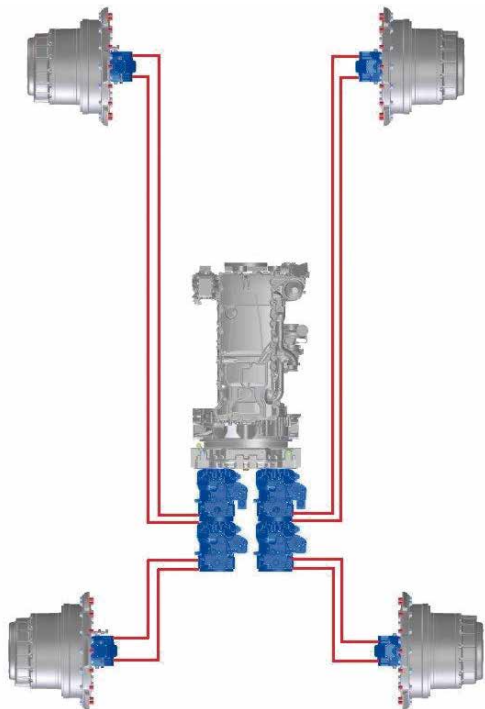
TWIN-PUMP DRIVE.



BC 473 EB-3/-5

- The right drive train for every weight – BC 473 twin-pump drive
- Efficient high-pressure drive train
- Fewer single components result in a highly efficient system load limiter controller

QUAD-PUMP DRIVE.



BC773 EB-5

- Instant speed adjustment externally and internally and at the front and rear for optimal grip without slipping when cornering. Only our drive system can offer you that. Thanks to our hydraulic all-wheel drive (quad-pump drive), the pump is regulated depending on the curve radius and directly ensures the right speed for each wheel
- Drive train matched to the weight
- Hydraulic all-wheel drive (quad-pump drives)
- Efficient high-pressure drive train
- Fewer components for highly efficient systems
- Load limiter controller
- ECOMODE



Model types	BC 473 EB-3	BC 473 EB-5	BC 773 EB-5	BC 773 EB-5	BC 773 EB-5
Exhaust classification	TIER 3a	STAGE V/ TIER 4	TIER 3a	STAGE V/ TIER 4	STAGE V/ TIER 4
Manufacturer	Deutz	MTU	Cummins	MTU	Cummins
Weight [t/lb]	25.7/56,658	26/57,320	36.6/80,689	36.6/80,689	36.6/80,689
Power [kW/hp]	227/304	210/281	336/456	340/456	336/456
Blade width [m/in]	3.6/141.7	3.6/141.7	3.8/149.6	3.8/146.6	3.8/149.6
Wheel width F&R [m/in]	1.13/44.5	1.13/44.5	1.13/44.5	1.13/44.5	1.13/44.5
Compaction width pass [m/in]	2.48/97.6	2.48/97.6	2.48/97.6	2.48/97.6	2.48/97.6
Speed [km/h / mph]	0-12/0-7.5	0-12/0-7.5	0-12/0-7.5	0-12/0-7.5	0-12/0-7.5

Head Office:

BOMAG
Hellerwald
56154 Boppard
GERMANY
Phone +49 6742 100-0
info@bomag.com

**BOMAG Maschinen-
handels-gesellschaft m.b.H.**
Klausenweg 654
2534 Alland
AUSTRIA
Phone +43 (0)2258 202 02
austria@bomag.com

BOMAG MARINI EQUIPAMENTOS LTDA.
Avenida Clemente Cifali, 530
Distrito Industrial Ritter
Cachoeirinha – RS
BRAZIL
ZIP code 94935-225
Phone +55 (0)51 2125 6642
brasil@bomag.com

BOMAG (CANADA), INC.
2233 Argentia Road, East Tower
Suites 302
L5N 2X7 Mississauga, ON
CANADA
Phone +1 800 782 6624
canada@bomag.com

BOMAG (Changzhou)
Construction Machinery Co., Ltd.
No. 66 Bopa Road
Xuejia Town
Xinbei District
Changzhou 213125
CHINA
Phone +86 519 88585566
china@bomag.com

BOMAG India Pvt Ltd
Unit No. 614, B Wing, 6th Floor
Kanakia Wall Street
Chakala Andheri Kurla Road Andheri East
Mumbai 400 093 Maharashtra
INDIA
Phone +91 8657492418
india@bomag.com

BOMAG France S.A.S.
2, Avenue du Général de Gaulle
91170 Viry-Châtillon
FRANCE
Phone +33 (0)16 957 8600
france@bomag.com

BOMAG (GREAT BRITAIN), LTD.
Sheldon Way
Larkfield, Aylesford
Kent ME20 6SE
GREAT BRITAIN
Phone +44 (0)1622 716 611
gb@bomag.com

BOMAG Italia
Via Roma 50
48011 Alfonsine
ITALY
Phone +39 0544 864 235
italy@bomag.com

FAYAT BOMAG Polska Sp. z o.o.
Ul. Szyszkowa 52
02-285 Warszawa
POLAND
Phone +48 22 482 0400
poland@bomag.com

FAYAT BOMAG RUS OOO
141400, RF, Moscow region
Khimki, Klayazma block, h. 1-g
RUSSIA
Phone +7 (495) 287 92 90
russia@bomag.com

BOMAG GmbH
300 Beach Road
The Concourse, #18-06
Singapore 199555
SINGAPORE
Phone +65 6294 1277
singapore@bomag.com

BOMAG Americas, Inc.
125 Blue Granite Parkway
Ridgeway SC 29130
U.S.A.
Phone +1 803 337 0700
usa@bomag.com