

# TR-60

TRACKED CONVEYOR



STRONG **HERITAGE**, STRONG **FUTURE**

 **FINLAY**<sup>®</sup>  
A TEREX BRAND

# TR-60 TRACKED CONVEYOR

## DIMENSIONS

Transport	Length	11.99 M (39'-4")
	Width	2.23 M (7'-4")
	Height	2.81 M (9'-2")
Working @24°	Length (Overall)	17.73 M (58'-2")
	Width	4.28 M (17'-0")
	Height (Top of Drum)	8.44 M (27'-8")
Total Weight (STD) (kg)		8,000
Maximum Tonnage		400-500 TPH (DEPENDENT ON MATERIAL AND BULK DENSITY)
Maximum Feed Size		150 MM (DEPENDENT ON MATERIAL AND BULK DENSITY)



## FEEDBOOT

Standard Capacity	2.26 M <sup>3</sup> (2.96 YD <sup>3</sup> )
Feed In Width	2.09 M (6'-10")
Extended Capacity	N/A
Extended Feed In Width	N/A
Minimum Feed In Height	1.92 M (6'-3")
Extended Minimum Feed In Height	N/A



## CONVEYORS

Width	900 MM (36")
Belt Centres	15.24 M (50')
Belt Type (Plain/Chevron)	PLAIN (CHEVRON OPTIONS)
Belt Spec	EP 300 3PLY
Drive Drum Diameter	344 MM (14")
Tail Drum Diameter	275 MM (11")
Max Belt Speed of Conveyor	3 M/SEC
Motor Size & type	OMV 500
Operating Angle	10-24°
Variable Speed (Y/N)	YES



Discharge Height @ 10°	4.43 M (14'-6")
Stockpile Capacity @ 10° & 37° Angle of Repose / 120° Radial angle	1115 M <sup>3</sup> (1458 YD <sup>3</sup> )
Discharge Height @ 12°	5.03 M (16'-6")
Stockpile Capacity @ 12° & 37° Angle of Repose / 120° Radial angle	1465 M <sup>3</sup> (1917 YD <sup>3</sup> )
Discharge Height @ 14°	5.35 M (18'-6")
Stockpile Capacity @ 14° & 37° Angle of Repose / 120° Radial angle	1675 M <sup>3</sup> (2190 YD <sup>3</sup> )
Discharge Height @ 16°	6.22 M (20'-4")
Stockpile Capacity @ 16° & 37° Angle of Repose / 120° Radial angle	2325 M <sup>3</sup> (3042 YD <sup>3</sup> )
Discharge Height @ 18°	6.8 M (22'-4")
Stockpile Capacity @ 18° & 37° Angle of Repose / 120° Radial angle	2929 M <sup>3</sup> (3700 YD <sup>3</sup> )
Discharge Height @ 20°	7.38 M (24'-3")
Stockpile Capacity @ 20° & 37° Angle of Repose / 120° Radial angle	3390 M <sup>3</sup> (4435 YD <sup>3</sup> )
Discharge Height @ 22°	7.95 M (26'-1")
Stockpile Capacity @ 20° & 37° Angle of Repose / 120° Radial angle	4000 M <sup>3</sup> (5233 YD <sup>3</sup> )
Discharge Height @ 24°	8.44 M (27'-8")
Stockpile Capacity @ 20° & 37° Angle of Repose / 120° Radial angle	4574 M <sup>3</sup> (5982 YD <sup>3</sup> )

# TR-60 TRACKED CONVEYOR

## POWER UNIT & HYDRAULICS

### T3 Engine

Engine Type and Power Rating	CAT 2.2 37KW
RPM	2800 RPM MAX
Crankshaft Pump	33cc+8cc
PTO Pump	N/A
Fuel Consumption - Average Daily Running	Not available (dependant on application)

### T4F Engine

Engine Type and Power Rating	CAT 1.7 TIER 4 STAGE V - 37KW
RPM	2800 RPM MAX
Crankshaft Pump	33cc+8cc
PTO Pump	N/A
Fuel Consumption - Average Daily Running	Not available (dependant on application)

### Stage V Engine

Engine Type and Power Rating	CAT 1.7 TIER 4 STAGE V - 37KW
RPM	2800 RPM MAX
Crankshaft Pump	33cc+8cc
PTO Pump	N/A
Fuel Consumption - Average Daily Running	Not available (dependant on application)

### Tank Capacities

Diesel Tank Capacity	190 LT (50 US GALLON)
Hydraulic Tank Capacity	190 LT (50 US GALLON)



## TRACKS

Shoe Width (mm)	400
Sprocket Centre (mm)	1790
Speed (KM/H) (Single Speed)	2.8



## OPTIONS

Dual Power (Electric/Hydraulic/Diesel/Hydraulic)  
Heavy Duty 4 Ply Belt  
Chevron Belt C15  
Chevron Belt C25

Under Guarding Cover (up to 8ft )  
Basket guards  
Anti Roll Back Flaps (3 off)

Fully auto radial (to include cordless remote)  
Fully auto machine - raise lower conveyor, track, radial and start stop belts

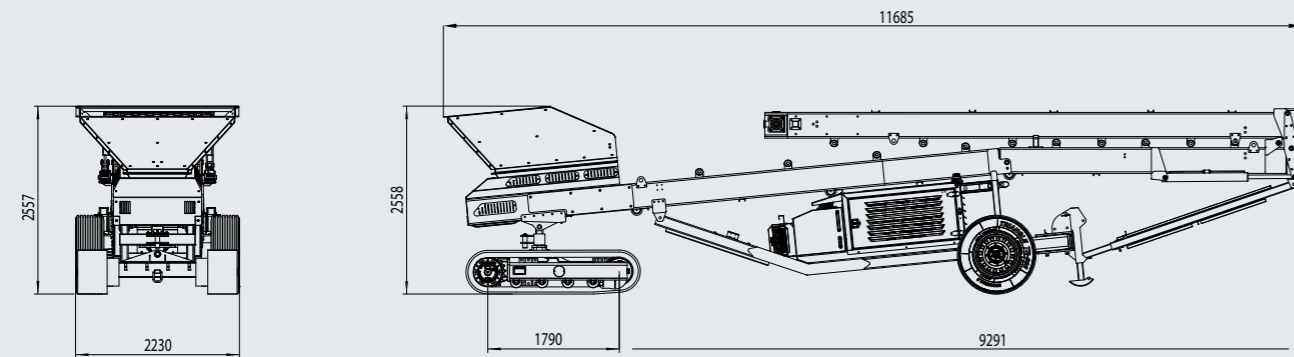
Twin drive - 2 off OMV 400 motors - needs to have a larger engine

Dual drive electric/hydraulic setup  
SCS primary scraper

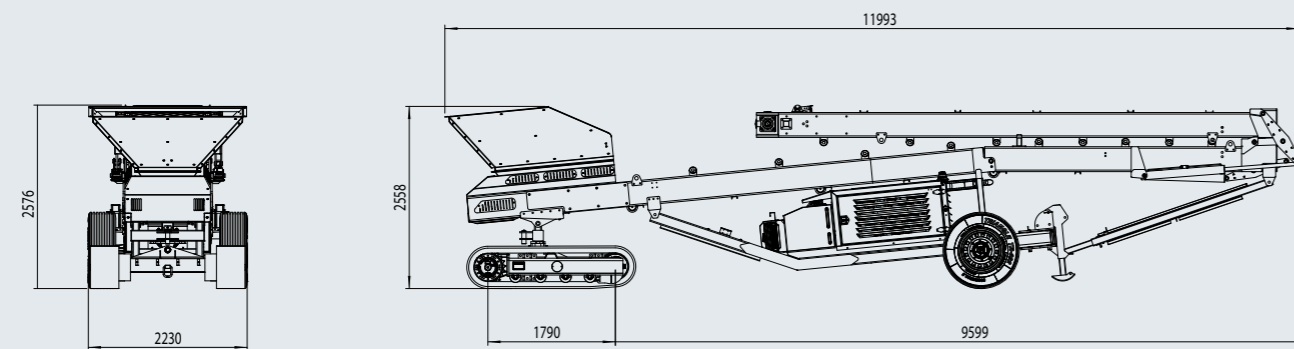
# TR-60 TRACKED CONVEYOR

## TRANSPORT

Transport Container

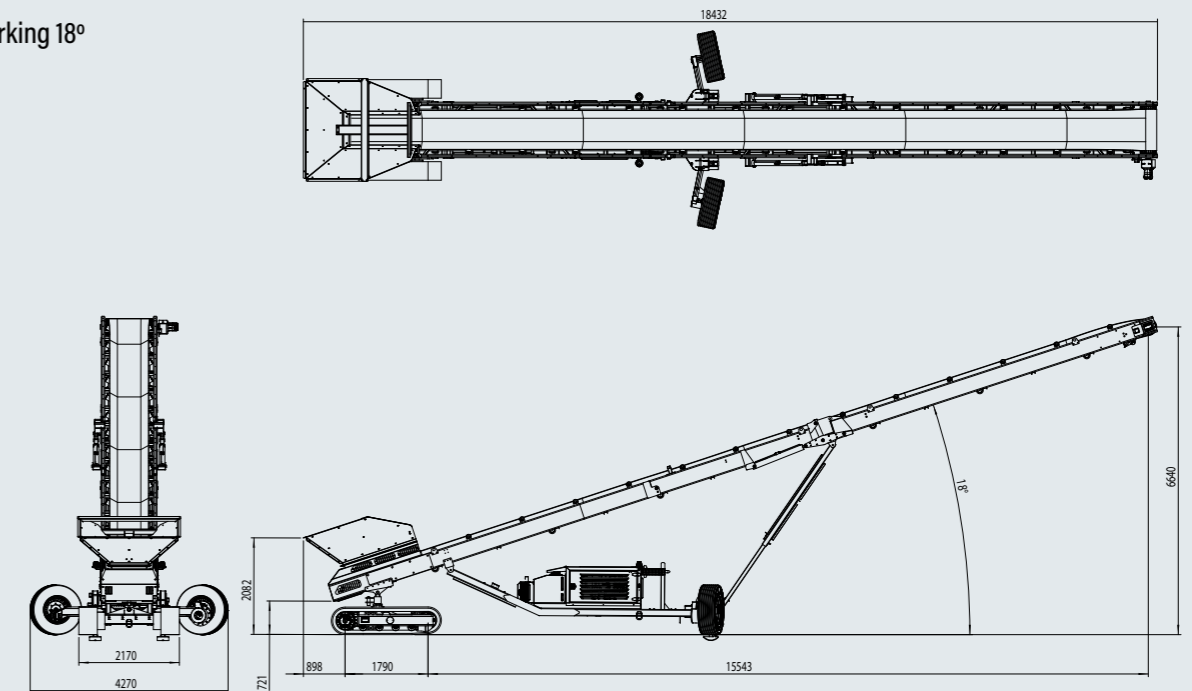


Transport Road

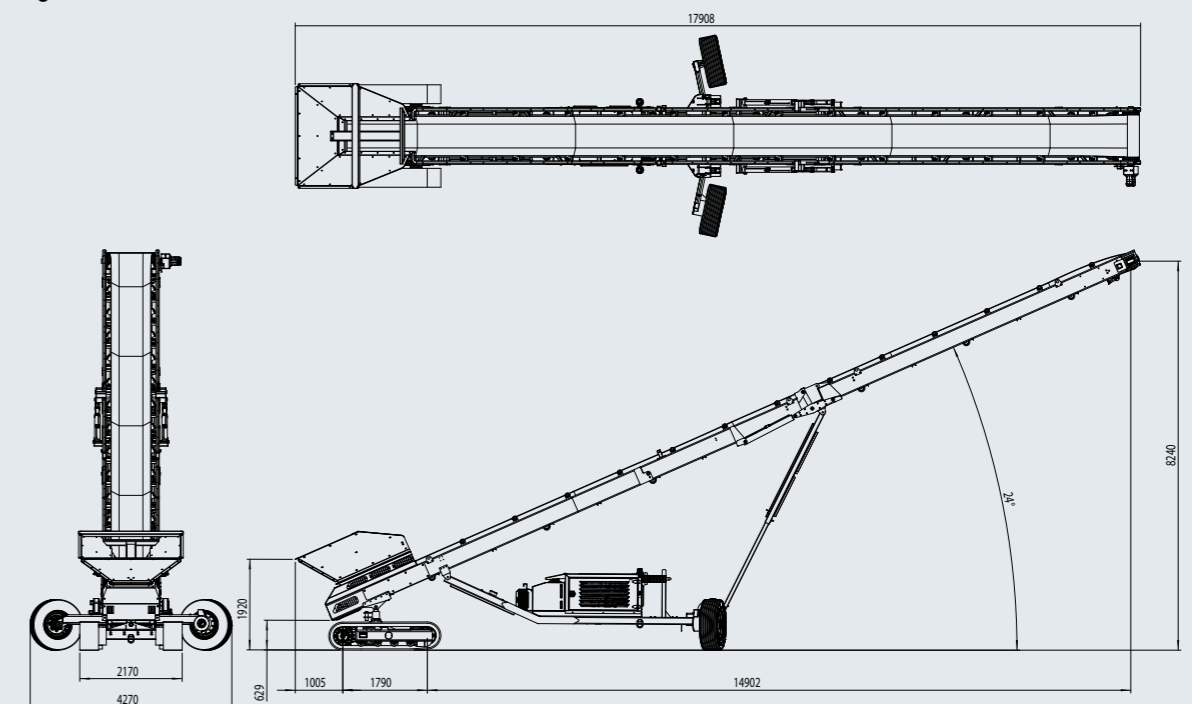


## WORKING

Working 18°



Working 24°





The material in this document is for information only and is subject to change without notice.

Finlay® assumes no liability resulting from errors or omissions in this document, or from the use of the information contained herein.

Due to continual product development we reserve the right to change specifications without notice. Product performance figures given in this brochure are for guidance purposes only, this information does not constitute an expressed or implied warranty or guarantee, but shows test examples. These results will vary depending on application. Photographs are for illustrative purposes only; some or all of the machines in the illustrations may be fitted with optional extras. Please check with your Dealer for details on optional extras.

Published and Printed in 2025

[www.terex.com/finlay](http://www.terex.com/finlay)

E: [sales@terexfinlay.com](mailto:sales@terexfinlay.com)

T: +44 28 82 418 700

